

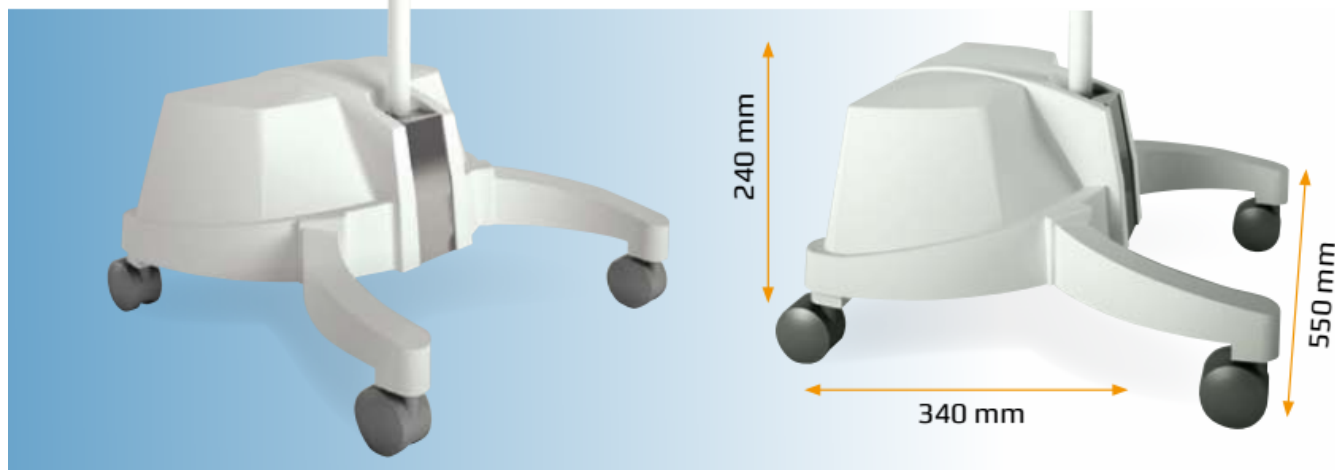


SOLED15 with **ABPS** supplies efficient light for every condition of use:

- in humanitarian interventions
- in developing regions
- in critical regions
- in emergency situations
- in case of sudden black-outs
- where light has great importance but electrical power supply is not available
- as a back-up lamp on field hospitals without UPS or power generators

SOLED15 with **ABPS** has the same performance and appearance, since the structure containing the battery is within the trolley base. The structure which covers and protects the battery is made of resistant plastic, and its dimensions are: 550 x 340 x 240 mm. The control panel on the structure allows managing all fundamental parameters, such as residual charge, type of power supply, recharge status and electrical power supply presence, amongst others.

ABPS is a rechargeable battery powered system made by ACEM Medical Company dedicated to power surgical lamps as by European Directive 93/42/EEC.



SOLED15

SOLED15 is the LED examination light for diagnostics, minor surgery and universal applications. It can be used for intensive care, recovery room, first aid, cosmetic surgery and dental sector. Soled15 supplements the Starled Series range of lamps manufactured by ACEM Medical Company.



SOLED15 contains all the advantages of LED technology and is suitable for multi-purpose uses thanks to its flexibility.

It assures:

- excellent light intensity
- IR-free light beam
- colour temperature (CCT) of 4.500°K
- colour rendering index (CRI) of 95
- long life
- low power consumption



The high technological level combined with the use of high-powered LEDs allow Soled15 to have a very linear yield and a negligible performance decay for its entire life duration.

Thanks to the high efficiency achieved, Soled15 has a light intensity of 65.000 Lux (85.000 Lux with "Boost" function) and a low power consumption.

The LEDs layout gives a visual comfort and produces a uniform, homogeneous and shadowless light.



SOLED15 has a round shape that makes it handy and functional both in use and move.

Its easy-to-move structure is suitable for diagnostics, test labs and dental surgery and its easy-to-grip removable and sterilizable handle makes it suitable even for critical sanitary applications.



SOLED15 is provided with an I-Sense® touch panel to control all the functions of the lamp:

- ON/OFF
- Light intensity adjustment
- Parts selection (SEL)
- Brightness increase (Boost)

The new "SEL" function allows the selection of single parts of the light beam and the activation of the desired LEDs in a sequential way according to the requirements and needs.

"Boost" function or "brightness increase" is used to obtain a maximum light intensity in case of a wide light field. This approximate 20% increase deactivates automatically after 5 minutes.

TECHNICAL FEATURES

Product Class (EN 60601-2-41)	I
Power supply	100 – 240 VAC - 50/60 Hz
DC voltage	24 VDC
Power consumption	24 W
Light source	LEDs
Average life	50.000 hrs about
Lighting at the centre, E _c @ 100 cm	65.000 Lux (85.000 Lux with Boostfunction)
Light adjustment	0% - 100%
Lighting area surface	63 cm
Focussable Working distance	70-150 cm
Colour temperature, CCT	4.500 °K
Colour rendering index, Ra	95
Light field dimension d ₅₀ @ 100 cm	12 cm
Light field dimension d ₁₀ @ 100 cm	23 cm
Lighting depth L1+L2	98 cm (with60%) 125 (with 20%)
Light head weight	2,1 Kg
Light head diameter	22 cm
Handle	Removable and sterilizable
Colour	White RAL 9002

ABPS TECHNICAL DATA SHEET FOR SOLED15

Class EN 60601-1	I
28 Ah battery	
Input voltage	100-240 Vac - 50/60 Hz
Output voltage	24 Vdc
Autonomy when at max. power	24 h
Max. recharge time	8 h
Trolley base weight with 28 Ah battery	34 Kg
12 Ah battery	
Input voltage	100-240 Vac - 50/60 Hz
Output voltage	24 Vdc
Autonomy when at max. power	10 h
Max. recharge time	4 h
Trolley base weight with 12 Ah battery	23 Kg

ACEM SpA

Medical Company Division

Via della Tecnica 29 - 40050 Argelato

Bologna - ITALY

Ph +39 051 721844 Fax +39 051 721855

info@acem.it www.acem.it